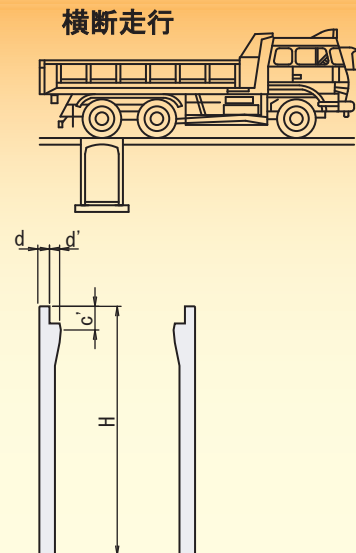
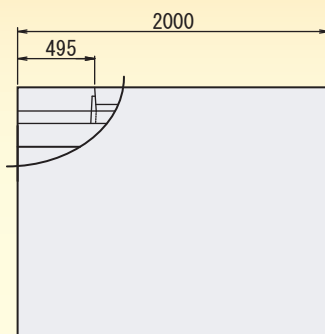
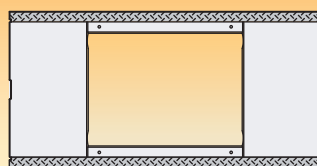
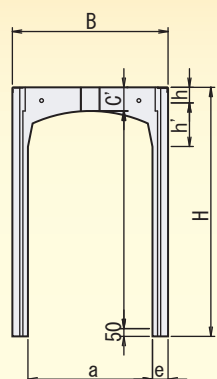


# 大型無騒音V S (横断用) 700~1000

規格図

本体(水路幅 700~1000mm)



重量・寸法表

呼び名 (幅×深)	寸法 (mm)										参考質量 (kg)
	B	H	a	c	c'	d	d'	e	h	h'	
700× 500	900	690	700	498	142	65	65	85	100	250	873
× 600		790		598							952
× 700		890		698							1,032
× 800		990		798							1,112
× 900		1,090		898							1,192
× 1,000		1,190		998							1,271
× 1,100		1,290		1,098							1,351
× 1,200		1,390		1,198							1,431
× 1,300		1,490		1,298							1,689
× 1,400		1,590		1,398							1,783
× 1,500		1,690		1,498							1,877
× 1,600		1,790		1,598							1,971
× 1,700		1,890		1,698							2,064
800× 600		1,000		800							800
× 700	900		698	1,111							
× 800	1,000		798	1,191							
× 900	1,100		898	1,270							
× 1,000	1,200		998	1,350							
× 1,100	1,300		1,098	1,430							
× 1,200	1,400		1,198	1,510							
× 1,300	1,500		1,298	1,767							
× 1,400	1,600		1,398	1,861							
× 1,500	1,700		1,498	1,955							
× 1,600	1,800		1,598	2,049							
× 1,700	1,900		1,698	2,142							
× 1,800	2,000		1,798	2,236							
900× 700	1,100		910	900	698	162	65	70	85	100	
× 800		1,010	798		1,271						
× 900		1,110	898		1,351						
× 1,000		1,210	998		1,431						
× 1,100		1,310	1,098		1,511						
× 1,200		1,410	1,198		1,590						
× 1,300		1,510	1,298		1,847						
× 1,400		1,610	1,398		1,941						
× 1,500		1,710	1,498		2,035						
× 1,600		1,810	1,598		2,129						
× 1,700		1,910	1,698		2,223						
× 1,800		2,010	1,798		2,316						
× 1,900		2,110	1,898		2,410						
1,000× 800		1,200	1,020		1,000						798
× 900	1,120		898	1,447							
× 1,000	1,220		998	1,527							
× 1,100	1,320		1,098	1,606							
× 1,200	1,420		1,198	1,686							
× 1,300	1,520		1,298	1,942							
× 1,400	1,620		1,398	2,036							
× 1,500	1,720		1,498	2,130							
× 1,600	1,820		1,598	2,224							
× 1,700	1,920		1,698	2,318							
× 1,800	2,020		1,798	2,411							
× 1,900	2,120		1,898	2,505							
× 2,000	2,220		1,998	2,599							